

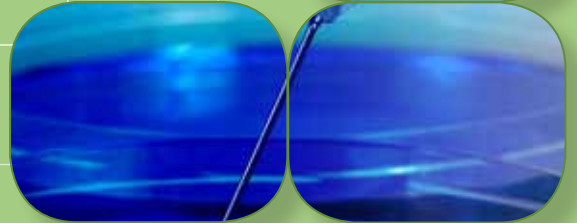
*Esco Isoclean Healthcare Platform Isolator,  
Model HPI-2G\_.*



*Esco Isoclean Healthcare Platform Isolator,  
Model HPI-4P\_.*

# Isoclean<sup>®</sup> Healthcare Platform Isolator (HPI-G3)

**Optimized Solution for Sterile Applications**



# Isoclean® Healthcare Platform Isolator (HPI-G3) with no filter below workstation

Inbuilt **dampers** to allow pressure testing without having to use cover plates, tape & silicone

Centrifugal, direct-drive **blowers** designed for maximum energy efficiency and minimal maintenance

**Sentinel™ Gold Microprocessor Control System** supervises all functions and monitors airflow and pressures in real-time.

Airlock **Pass Chamber** ensures work zone remains sterile during insertion and removal of items.

Horizontal **sliding tray** prevents operator fatigue during transfer procedures

**Electromagnetic Interlocking Doors** with time delay effect ensures safety and containment between the Pass Chamber and the Process Chamber.

Optional **sharps disposal system** enables smoother work flow and minimizes transfers in order to enhance patient protection and sterility



## Guide to Isoclean® Healthcare Platform Isolator - WITHOUT Filter Below Work Zone

**HPI-4P1-G3-0**

Model	Process Chamber Internal Width (mm)	Code	Pressure	Code	Voltage	Code	Sharps Container	Code
HPI-G3	1130	4	Positive	P	220-240 VAC, 50 Hz	1	No	0
	1360	6	Negative	N	110-120 VAC, 60 Hz	2	Yes	S
					220-240 VAC, 60 Hz	3		



Esco Isoclean® Healthcare Platform Isolator,  
Model HPI-4P\_

**ULPA filters (H14)** with a typical efficiency of >99.999% at 0.1 to 0.3 microns provide superior ISO Class 5 air cleanliness, 100 times better than competing products.

**Fluorescent lamps (optional LED)** deliver >800 Lux to the work surface for superior overall illumination.

With ISO Class 5 environment, the **Process Chamber** facilitates aseptic processing in an EU GMP Grade A condition

Frameless **front visor panel** with highly rounded edges to minimize crevices and maximize door vision panel

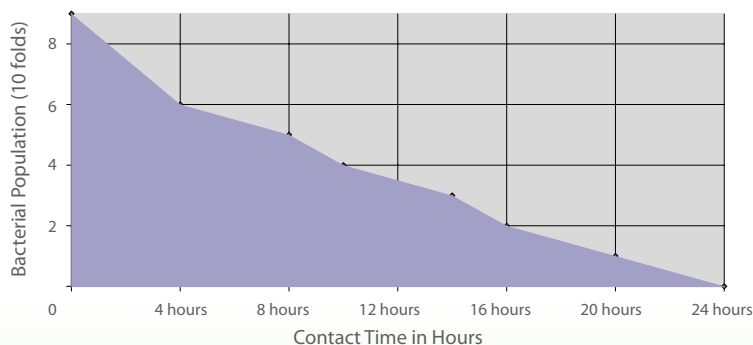
Circular **glove ports** with minimal crevices, no exposed bolts and nuts

Single-piece stainless steel **work surface** with raised edges on all sides contain spillages.

Optional adjustable **hydraulic stand**, with casters, elevates to accommodate user preference for sitting or standing work surface height

Angled drain pan for easy cleaning

## ISOCIDE™ Antimicrobial Powder-Coating



*All exterior painted surfaces are powder-coated with Esco Isocide™, an antimicrobial inhibitor to minimize contamination. Isocide™ is integrated into the coating substrate and cannot wash out or diminish by repeated cleaning. Performance results are available upon request. Contact Esco or your Esco Sales Representative for details.*

# Isoclean® Healthcare Platform Isolator (HPI-G3) with filter below work zone

Inbuilt **dampers** (option for manual or automated) to allow pressure testing without having to use cover plates, tape & silicone

Centrifugal, direct-drive **blowers** designed for maximum energy efficiency and minimal maintenance

**Sentinel™ Gold Microprocessor Control System** supervises all functions and monitors airflow and pressures in real-time.

Type D **Pass Chamber** with interlocked doors, adjustable purged duration, and time-delayed ingress/egress control allowing sufficient time for surface decontamination to minimize transfer of contamination.

Removable **sliding tray** (option for perforated or non-perforated) prevents operator fatigue during transfer procedures

**Electromagnetic Interlocking Doors** with time delay effect ensures safety and containment between the Pass Chamber and the Process Chamber.

**Return Filter** (option to upgrade to safe change BIBO) below work zone filters the contaminated air immediately to minimize possibility of airborne contamination

**Foot switch** provides hands-free access to opening and closing of the magnetic interlock minimizing operator fatigue during transfer procedures



Esco Isoclean® Healthcare Platform Isolator, Model HPI-2G\_

## Guide to Isoclean® Healthcare Platform Isolator - WITH Filter Below Work Zone

**HPI - 2 G 8 - P S 2 - 0**

Model	Process Chamber Internal Width (mm)	No. of Gloves	Voltage	Code	Pressure	Code	Airflow	Code	Pass-Through Chamber
<b>HPI-G3</b>	1215	<b>2G</b>	220-240 VAC, 50/60 Hz	<b>8</b>	Positive	<b>P</b>	Single Pass	<b>S</b>	None
	1520	<b>3G</b>	110-120 VAC, 50/60 Hz	<b>9</b>	Negative	<b>N</b>	Recirculating	<b>R</b>	Left of Right
	1825	<b>4G</b>							Both Sides



**HEPA H14 filters** with a typical efficiency of >99.995% at 0.3 microns provide superior ISO Class 5 air cleanliness, 100 times better than competing products.

**Fluorescent lamps (optional LED)** deliver >800 Lux to the work surface for superior overall illumination.

With ISO Class 5 environment, the **Process Chamber** facilitates aseptic processing in an EU GMP Grade A condition

Circular **glove ports** with minimal crevices, no exposed bolts and nuts

Frameless **front visor panel** with highly rounded edges to minimize crevices and maximize door vision panel

Single or multiple, removable work trays for easy surface cleaning and decontamination.

Optional adjustable **hydraulic stand**, with casters, elevates to accommodate user preference for sitting or standing work surface height

Code	Sharps Container	Code
0	No	0
L or R	Yes	S
2		

HPI-G3 SC+
Safe change BIBO filters
Esco HMI / PLC controller
Standard Integration of BioVap™
Sliding vertical inner pass chamber door
Larger pass chamber (single or dual)





## Introduction

The Isoclean® Healthcare Platform Isolator (HPI-G3) facilitates the isolation of a product or process while providing the required sterile/aseptic environment. It is configured to operate at positive or negative pressure in single or recirculating airflow. This equipment provides a comprehensive range of personnel and product protection in addition to the surrounding work areas and the environment.

## Application

- Pharmacy Compounding (Chemotherapy/TPN)
- Small-scale Potent Material Handling
- Aseptic Processing
- Research and Development
- Cell processing

## Isolation Technology

Barrier isolation systems provide inherently superior sterility compared to open front clean air devices such as laminar flow clean benches and Class II biological safety cabinets. USP797 guidelines specify that isolators may be situated in an area subject to less severe environmental controls compared with open front clean air devices.

When used as part of a system that includes operator aseptic technique training, process validation, expiration setting and product quality maintenance after the CSP leaves the pharmacy, isolators are an effective solution especially for lower-volume pharmacies. They reduce operating and renovation costs, take up less space, and are easier to maintain.

The positive pressure HPI-G3 model is suitable for work involving non-hazardous materials, while the negative pressure isolator is suitable for work involving hazardous materials eg, cytotoxic compounding applications.

The work zone and pass chamber interchange are either under positive or negative pressure to the room in order to maintain sterility or operator protection, respectively, in case of a breach in the barrier isolation system.

When hazardous drugs compounded have the potential to volatilize, the negative pressure, single pass isolator should be selected. Optional carbon filter may be added.

## Maximum Protection and Sterility

- An improved mini-pleat separation technique maximizes filter surface area, improves efficiency and extends filter life over conventional separation.
- The H14 supply filters provide clean air to the work surface in a gentle vertical laminar flow.
- Superior air cleanliness of ISO Class 5, 100 times better than competing products.
- Laminar (unidirectional) airflow within work zone and pass chamber enables recovery of chamber atmosphere to ISO Class 5 conditions within 3 minutes following a worst-case contamination event. The entire work zone air is changed 20-30 times per minute.

- Airlock pass chamber ensures work zone remains sterile during ingress and egress of items. Items are loaded into the pass chamber, surface decontaminated, the outer pass chamber door is closed, while the atmosphere is allowed to purge.

- The electromagnetic interlocking door mechanism with time-delayed ingress/egress control allows sufficient time for surface decontamination to minimize transfer of contamination. Finally, the inner pass chamber door is opened from within the work zone in order to transfer materials into the main work area.

- Optional sharps disposal system enables smoother work flow and minimizes transfers in order to enhance patient protection and sterility. Sharps may be disposed through the work surface into disposal bins while minimizing contamination of the work zone. Interface between sharps disposal bin and isolator is aerosol tight to avoid ingress of contamination during the disposal operation.

- Improved safe-change cuff rings enable glove change with zero risk of contamination.

## Ergonomic Enhancements

Ergonomic enhancements minimize stress associated with long periods of operation.

- Ergonomically styled sloped front reduces glare and allows for easier reach into the work area. Highly rounded edges to minimize crevices and maximize door vision panel

- Sliding tray facilitates material transfer without the operator having to reach into the pass chamber interchange area.

- Circular glove ports with minimal crevices, no exposed bolts and nuts

- Optional hydraulic stand allows the operator to adjust the work surface height to preference, for both sitting and standing operation.

- All common surgical gloves attach to the cuff ring, thereby making the system adaptable to operator preference.

- Lamps deliver > 800 Lux to the work surface for superior overall illumination.

- Foot switch (available for HPI-2G/HPI-3G/HPI-4G series only) provides hands-free access to opening and closing of the magnetic interlock minimizing operator fatigue during transfer procedures.

## Cabinet Construction

Robust construction and enhanced safety features qualify the HPI-G3 for the most demanding laboratory applications. The isolator is fully assembled and ready to install and operate when shipped.

- The cabinet exterior structure is constructed of industrial-grade electrogalvanized steel.

- External surfaces are coated with Isocide™ antimicrobial coating to protect against surface contamination and inhibit bacterial growth. Isocide™ eliminates 99.9% of surface bacteria within 24 hours of exposure.

- The cabinet interior is constructed of durable and pharmaceutical-grade 316L stainless steel with large radius corners to simplify cleaning.

- Removable tray components to provide easy access and encourage surface decontamination.

- Single or multiple, removable work trays for easy surface cleaning and decontamination.

- Hinged window may be opened for thorough access into the work zone.

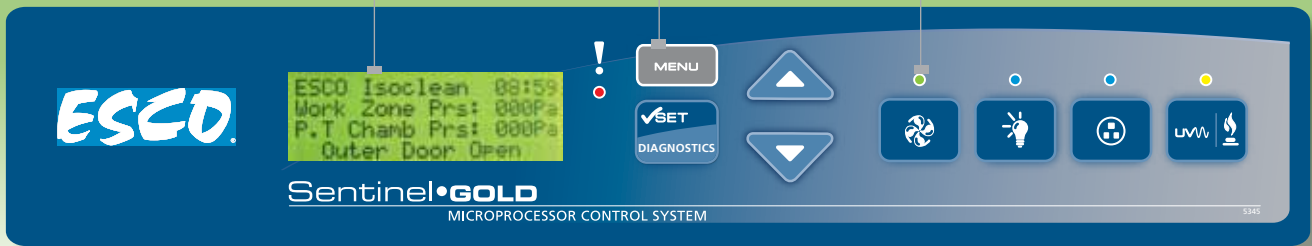
Enlarged, multi-line digital read-out with alpha-numeric display indicates all input, status and alarm functions.

Work zone, interchange pressures and downflow velocity are continuously measured and displayed. Integrated true airflow sensor is temperature compensated for improved accuracy.

Password-protected administration can be set to restrict access to main menu.

Color coded indicator lamps display green for fan operation; blue for fluorescent lights and electrical outlet; and orange for AUX function ON.

Optional audible and visual alarms warn of unsafe conditions such as low chamber pressure.



Sentinel Microprocessor Control System, Programmable

- When programmed ON
- the start-up sequence confirms status with Air Safe and local time display.
- the Personal Identification Number (PIN) access restricts unauthorized adjustments.

### Control System

The Esco Sentinel™ Gold microprocessor-based control system supervises operation of all cabinet functions. Controls are configurable to meet user requirements. Features of the main control panel include:

- Work zone and pass chamber pressures are monitored and displayed on the LCD screen.
- Continuous monitoring and display of isolator laminar (downflow) airflow on large, easy-to-read LCD display.
- An optional alarm package is available for users with more sophisticated requirements.

### Fan Efficiency

The HPI-G3 fan system is designed for maximum energy efficiency and minimal maintenance.

- Centrifugal, direct-drive, external rotor motors reduce operating costs.
- Unique Esco motor/fan orientations minimize noise and vibration.
- Built-in solid-state variable speed controllers are infinitely adjustable from Off to Maximum.

### Safety and Certification

All components used in Esco products meet or exceed all applicable safety requirements.

- Each isolator is individually factory tested for electrical safety.

- Documentation specific to the cabinet serial number is maintained on file.

### Warranty

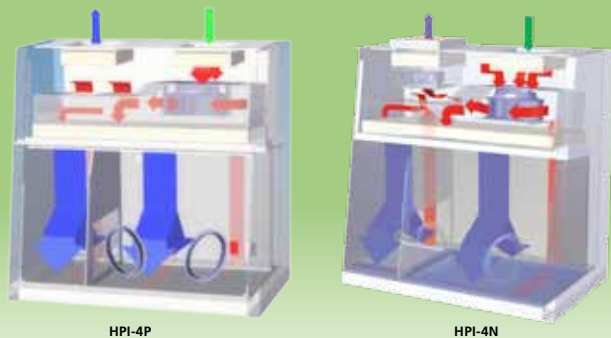
One year warranty (excluding consumables). Consumables are ballast, fluorescent, and filters. The warranty will cover all other parts including the blower, fan switch, and electrical main board. During the period of warranty, any repair, modification, testing and commissioning performed by any unauthorized party other than Esco Service Team will void the warranty of the unit.

### Accessories and Options

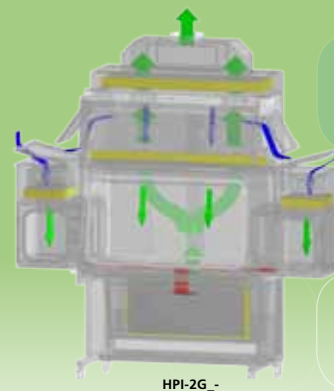
HPI-G3 is available as a standard bench top unit. Additional accessories are available for further enhancement.

### Support Stands

- Fixed height, available 711 mm (28") or 864 mm (34")
  - With leveling feet, ±38.1 mm (1.5") (SPL-\_\_0)
  - With casters (SPC-\_\_0)
- Telescoping height stand for leveling feet (STL-\_\_0), nominal range 660 mm to 960 mm (26" to 37.8") - Adjustable in 25.4 mm (1") increments
- Infinitely adjustable hydraulic stand, with casters, elevates to accommodate user preference for sitting or standing work surface height (SHM-\_-G3)



HPI-4P HPI-4N



HPI-2G\_-



Ambient air is pulled through the inlet pre-filter (80% efficiency for positive pressure model) located on top of the isolator. The pre-filter traps large size particles to extend the life of the supply ULPA filter.

Air from the top inlet and from work zone is pulled by the fan which creates a positive pressure on the plenum that creates downflow. In positive pressure model, the proprietary plenum design forces more air into the work zone, increasing its pressure relative to the pass-thru. In negative pressure model, the work zone and pass-thru interchange are under negative pressure to the room, thereby preventing contaminants from leaving the work zone in case of a breach. The ULPA downflow filter creates a laminar and particle-free ISO Class 5 air cleanliness as per ISO 14644-1 (equivalent to Class 1 as per US Fed Std 209E) inside the isolator to protect the work material inside the main chamber and pass-thru.

Air from the work zone and pass-thru is quickly purged out by the fan to keep the area clean. The fan pulls approximately 90% of the purged air back to the plenum and after passing through the ULPA downflow filter again, it is recirculated back to the work one and pass chamber. The high rate of airflow recirculation helps to prolong filter life and reduces the chances of ambient contaminants entering the work zone.

Approximately 10% of the purged air is exhausted through an ULPA-filter to prevent heat build-up inside the isolator that can be detrimental to drug compounding. This exhausted air is replenished by ambient air coming from the top inlet pre-filter and a filter with 80% efficiency for positive pressure model.

Ambient air is pulled through the inlet pre-filter located on top of the isolator. The pre-filter traps large size particles to extend the life of the supply HEPA filter.

Air from the top inlet and from work zone is pulled by the main fan, which creates positive pressure on the plenum that creates downflow. Work zone pressure is always higher than the pass-through, to prevent contaminants from entering the work zone through the pass-through.

The downflow filter creates a full unidirectional airflow and particle-free ISO Class 5 environment inside the isolator to protect the work material inside the main chamber and pass-through. Air from the work zone and pass-through is quickly purged by the fans to keep the area clean.

	Design	Cabinet Performance	Air Quality	Filtration	Electrical Safety
<b>Standards Compliance</b>	USP 797, USA FDA cGMP, USA AS 4273, AUS PIC/S EU GMP TGA GMP JIS	CETA CAG 001-2005, USA CETA CAG 002-2006, USA AS 4273, AUS ISO 10648-2, Class 2 DIN 12980:2015-08*	ISO 14644.1, ISO Class 5, Worldwide JIS B9920, Class 5, Japan BS 5295, Class E UK	EN-1822, Europe IEST-RP-CC001.3, USA IEST-RP-CC007, USA IEST-RP-CC034.1, USA	IEC 61010-1, Worldwide EN 61010-1, Europe UL 61010-1, USA CAN/CSA -22.2, No 61010-1

\*Cabinet performance of Isoclean® Healthcare Platform (HPI-G3) complies to the proposed guidelines in the DIN 12980:2015-08 draft standard.

**Other Options and Accessories**

- Electrical outlets
- UV lamp
- IV bars with hooks
- Carbon VOC with filter housing\*
- Exhaust Collar\*
- Hard Ducting with Anti-blow back valve\*
- Glove leak tester
- CCTV and rear view adaptation
- Biovap™ biodecontamination system
- Sharps container
- Continuous Liner for Bag In or Bag Out
- Bag welder for continuous liner system

\* for HPI-2G/HPI-3G/HPI-4G models only  
+ for negative isolator only

**Glove Leak Tester**

Features:

- Quantitative pinhole measurement
- Simple operation
- Positive pressure testing
- Single glove test
- Table-top design
- Pneumatic Tubing Connections





# BioVap™ | Biodecontamination System

Esco BioVap™ is an effective hydrogen peroxide based biodecontamination system capable of achieving a 6-log reduction in bioburden. This system can be integrated into the HPI-G3 as our approach to a cost-effective biodecontamination.

## Science Behind the Process

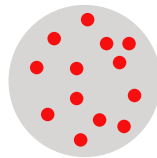
The Esco BioVap™ system employs a process of atomizing the hydrogen peroxide sterilant creating a dry fog after it is injected into the space. This unique system (patent pending) creates a charge on the atomized droplets as it pass through the nozzle.

Each droplet of the sterilant contains billions of reactive antimicrobials to effect a microbial kill. Through a mutual repulsion, the charged droplets repel each other and distribute through the space and are attracted to the negative charged surfaces. This causes the droplets to crash and burst on to the surfaces instead of gently settling.

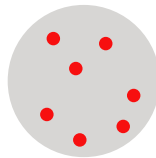
This revolutionary biodecontamination system is not affected by temperature or relative humidity therefore there is no pre-conditioning requirement to the chamber before use leading to reduced cycle.



## Levels of Biodecontamination



**SANITIZATION**  
Two log-10<sup>-2</sup>



**DISINFECTION**  
Five log-10<sup>-5</sup>



**STERILIZATION**  
Six log-10<sup>-6</sup>

## Control System

BioVap™ is controlled by PLC with operator interface via a touchscreen HMI terminal giving operator log on security and real-time display of cycle parameters.

Specifications	
Air Injection Pressure	4 bar ±10%
Air Injection Flow rate	32 lpm ±10%
Injection Time	30 sec – 5 min
Dwell Time	30 min
Aeration Time	20 min
Total Decon Time	45 min – 1 hr
Sterilant Used in One Cycle	10 – 30 mL
Sterilant Injection Flow Rate	200 – 300 µL/sec
Sterilant	30% Hydrogen Peroxide

## Testing and Validation

- Filter Leak Tests verify the integrity of the ULPA and HEPA filters as installed
- Downflow Velocity Tests verify adequate unidirectional airflow velocities
- Class 2 Containment Enclosure for process and pass chambers in accordance with ISO 10648-2
- Particle Counts (Air Cleanliness Tests) verify air cleanliness in accordance with ISO 14644-1
- Product Ingress and Egress Tests determines if the isolator work zone can maintain ISO Class 5 during transfer procedures
- Recovery Time Test determines the amount of time the main chamber takes to recover to ISO Class 4 in the event of a contamination event
- Breach Test verifies user protection in case of a glove failure. Unit will become negative pressure with inward velocity of 0.7 m/s
- Operator Comfort Tests include noise, light and vibration.

## Pressure Test

HPI-G3 is a Class 2 Containment Enclosure in accordance with ISO 10648-2 standards.

Capable of carrying out a pressure test (Manual or Automated). Compressd air is injected to the chamber until it reaches 250 Pa. Measurements are taken every 10 mins for a total of 30 mins. These measurements are recorded and computed as per ISO 10648-2 standard.



# SAFE GLOVE CHANGE PROCEDURE: REPLACING DISPOSABLE GLOVES

Safe change design system allows glove change at the middle of a process or when the equipment is in operation.



1. Pull the Glove/Sleeve outside the isolator



2. Fold the fingers of the glove inside the cuff ring



3. Remove the outer ring



4. Carefully roll the gloves from the middle groove to the outer groove



5. Take the new glove and ensure the thumb is at the top. Stretch the ring of the new glove over the port and over the old glove onto the middle groove



6. Install the ring up to the middle groove



7. Carefully loosen the old glove from the outer groove



8. Put the glove/sleeve inside the isolator



9. Working with one hand in the adjacent glove, carefully pull the old glove



10. The procedure is now complete

## SAFE GLOVE CHANGE PROCEDURE: REPLACING THE SLEEVES



1. Remove the screws that secure the glove port cover



2. Remove the outer glove port cover



3. Remove the "O" ring



4. Carefully roll the ring of the glove from the inner groove to the outer groove of the port



5. Ensure that the old glove is inside the isolator



6. Take the new glove and ensure the thumb is at the top and stretch the "O" ring of the new glove over the port and over the old glove into the inner groove



7. Replace the "O" ring into the outer groove of the glove port



8. Working with one hand in the adjacent glove, carefully work from the outer ring and into the isolator. The old glove needs to be removed while under the new glove

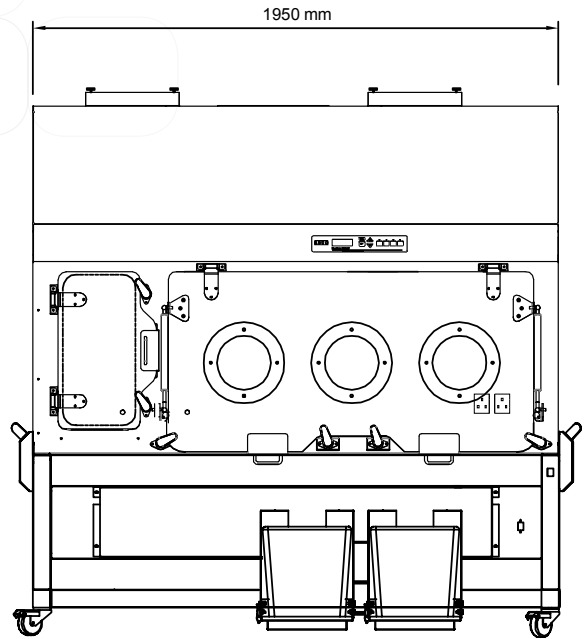
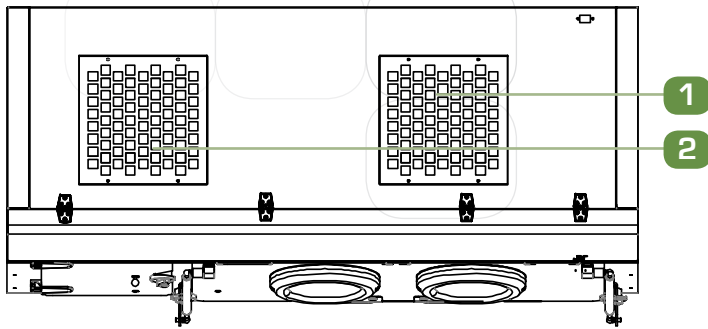


9. Replace the glove port outer cover



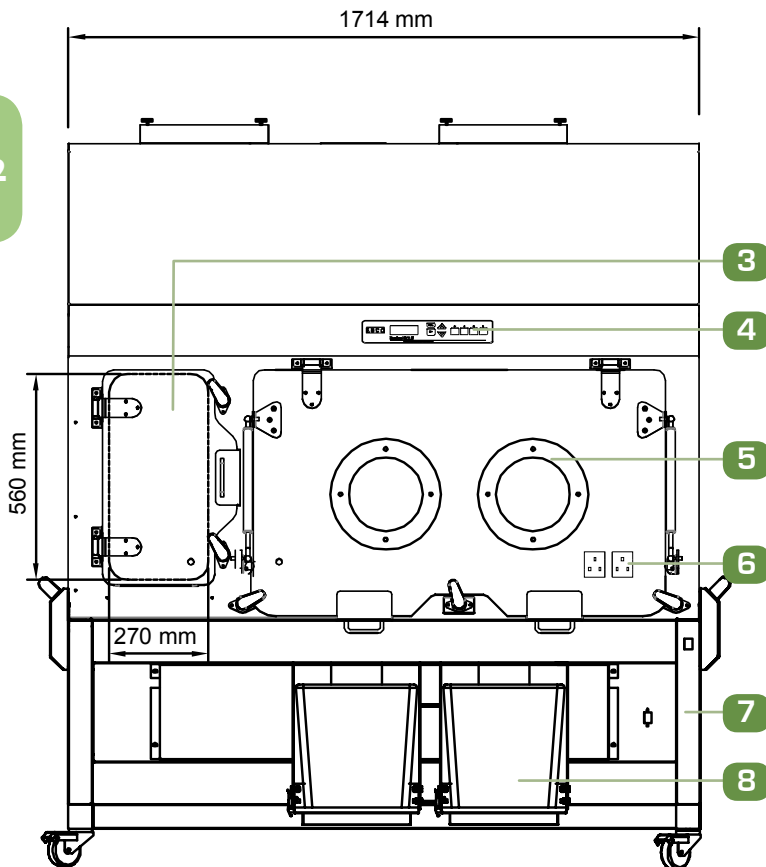
10. Secure the port cover with the screws. The procedure is now complete

# ENGINEERING DRAWING

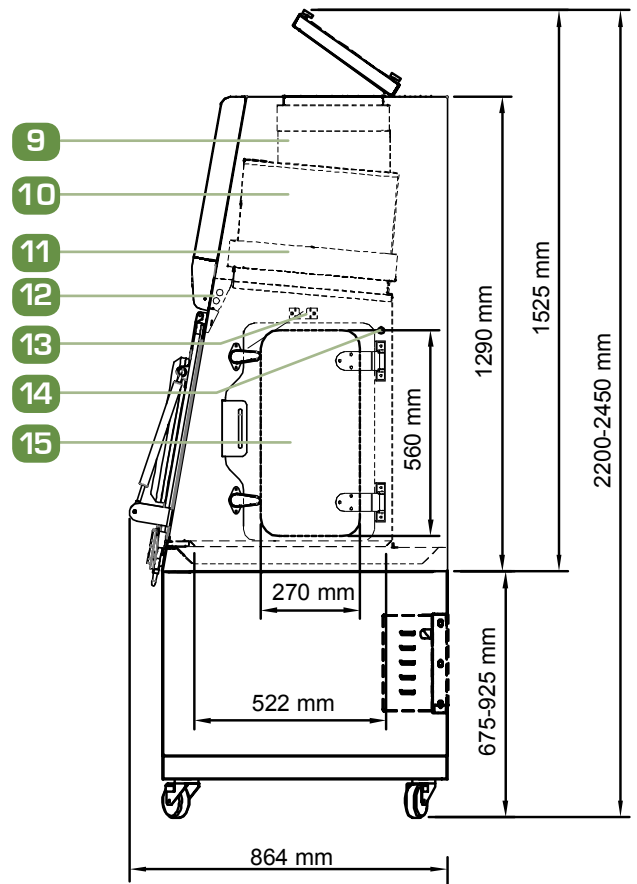


HPI-6\_\_G3

12



HPI-4\_\_G3



- 1. Inlet Pre-filter 80% efficiency (HPI-N: Inlet H14 filter)
- 2. Exhaust H14 Filter
- 3. Pass-Thru, Hinged Outer Door
- 4. Esco Sentinel™ Gold Microprocessor Control System
- 5. Round Glove Ports (200 mm)

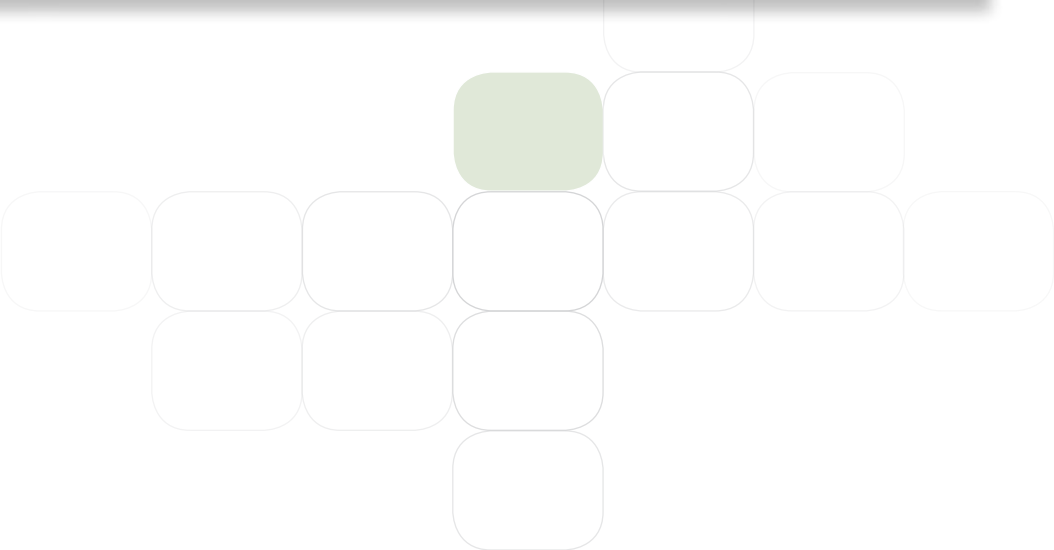
- 6. Electrical Outlet (Optional)
- 7. Hydraulic Height Adjustable Base Stand with Casters (Optional)
- 8. Sharps disposal system (Optional)
- 9. Exhaust Fan
- 10. Supply Fan

- 11. Downflow H14 Filter
- 12. Fluorescent Lamp
- 13. IV Bar
- 14. UV Lamp
- 15. Pass-thru, Hinged Inner Door

# GENERAL SPECIFICATIONS

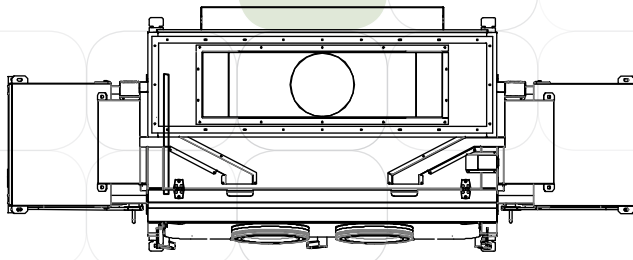
Isoclean® Healthcare Platform Isolator (HPI-G3)

		HPI-4__G3	HPI-6__G3
Main Chamber Nominal Size (mm)		1130	1360
Process Chamber Internal Dimension - W x D x H (mm)		1130 x 570 x 670	1360 x 570 x 670
Pass Chamber Internal Dimension - W x D x H (mm)		318 x 570 x 670	318 x 570 x 670
Pass Chamber Door Opening - W x H (mm)	Inner Door	270 x 560	
	Outer Door	270 x 560	
External Dimensions - W x D x H (mm)	With Adjustable Stand (min)	1714 x 864 x 2200	1950 x 864 x 2200
	With Adjustable Stand (max)	1714 x 864 x 2450	1950 x 864 x 2450
Glove Port Diameter (mm)		200	
Glove Port Quantity		2	3
Chamber Environment		ISO Class 5 all Chambers (Grade A)	
Inlet, Downflow, and Exhaust Filter Type		ULPA Filter with Integral Metal Guards and Filter Frame Gaskets; Fully Compliant With EN 1822 (H14) and IEST-SPCC001.3 Requirements	
Filter Efficiency		> 99.999% for particle size between 0.1 to 0.3 microns	
Lighting Level		> 800	
Sound Level		TBD	TBD
Isolator Construction	Main Body	1.2 mm (0.05") 18 Gauge Electro-Galvanized Steel with White Oven-Baked Epoxy-Polyester Isocide Antimicrobial Powder Coated Finish	
	Work Tray	1.5 mm (0.06") 16 Gauge Stainless Steel, with 4B Finish	
	Inner Side Wall	1.5 mm (0.06") 16 Gauge Stainless Steel, with 4B Finish	
Electrical Requirements (by Client)	220-240 VAC, 50 Hz, 1Ø	HPI-4_1-G3	HPI-6_1-G3
	110-120 VAC, 60 Hz, 1Ø	HPI-4_2-G3	HPI-6_2-G3
	220-240 VAC, 60 Hz, 1Ø	HPI-4_3-G3	HPI-6_3-G3
Compressed Air Requirement (by Client)	2 Bar-g Pressure at 5 L/sec	2 Bar	
General Options/Accessories	Hydraulic Stand Control	✓	✓
	IV Bars with hooks	✓	✓
	UV lamp	✓	✓
	Electrical Outlet	✓	✓
	Glove Leak Tester	✓	✓
	Electrical Outlet	✓	✓
Work Surface Options	Single Piece Trays	✓	✓
	Multiple Piece Trays	✓	✓
Transfer Options	Sharps Disposal	✓	✓
	Continuous Liners for Bag In or Bag Out (BIBO)	✓	✓
	Bag Welder for Continuous Liner System	✓	✓

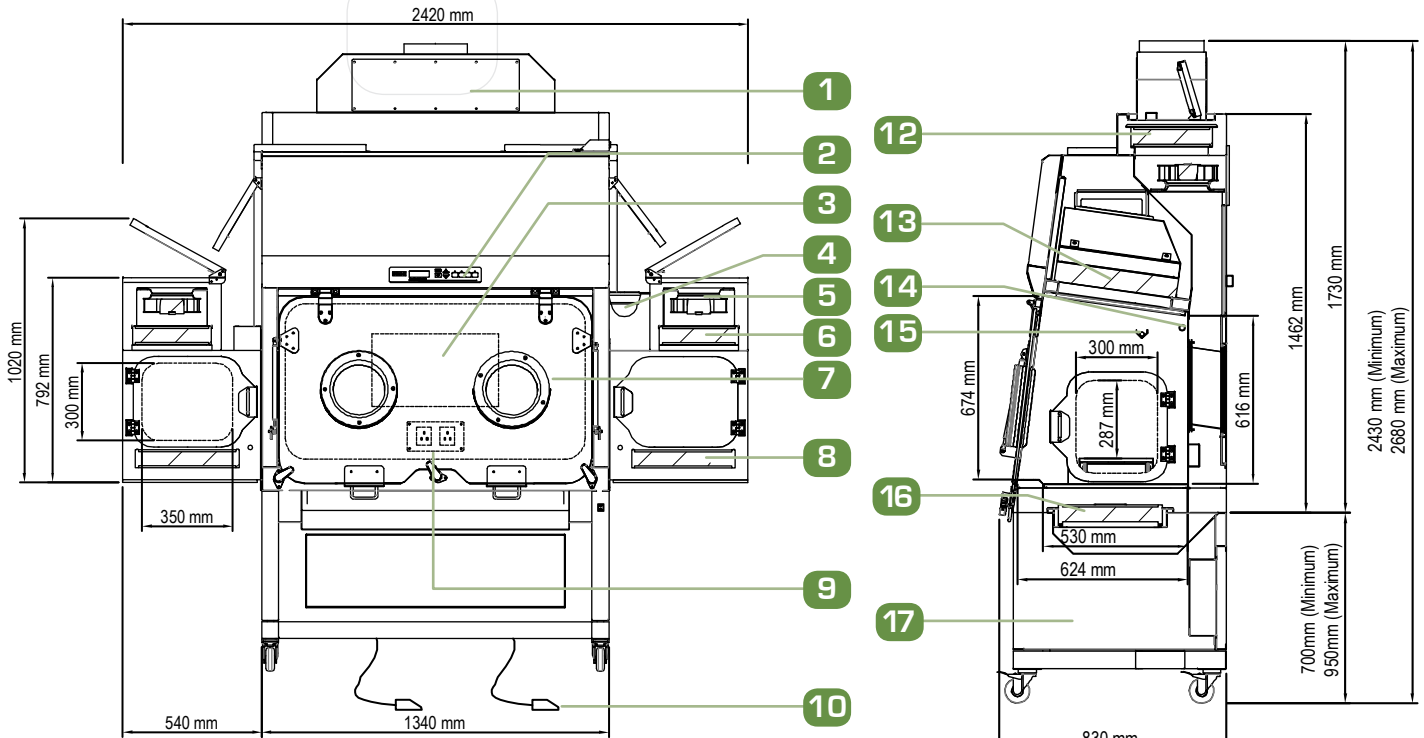
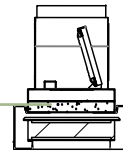




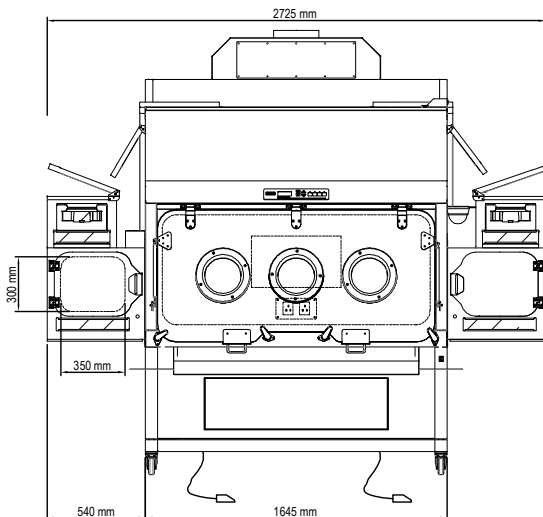
# ENGINEERING DRAWING



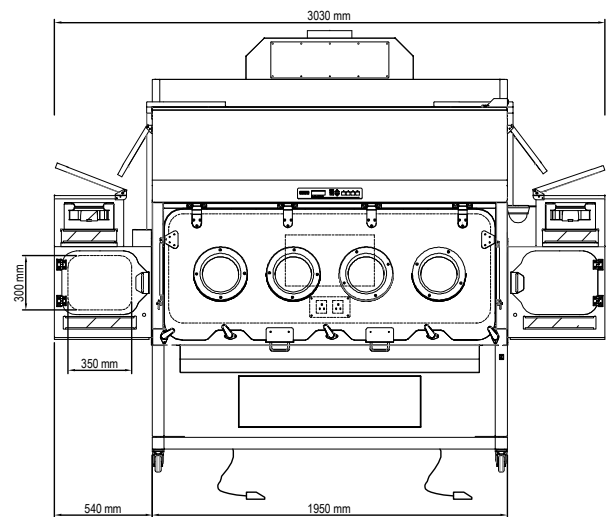
11



Model HPI-2G



Model HPI-3G



Model HPI-4G

1. Exhaust Collar  
(for negative pressure isolator only)
2. Esco Sentinel™ Gold Microprocessor Control System
3. Rear View Screen Provision (Optional)
4. CCTV Camera
5. Pass Chamber Supply Fan

6. Pass Chamber Supply HEPA filter
7. Glove Ports
8. Pass Chamber Exhaust HEPA Filter
9. IP Rated Electrical Outlet
10. Foot Switch for Inner Door
11. Carbon Filter  
(Optional, add 80 mm to Overall Height)

12. 2nd Exhaust HEPA Filter
13. Process Chamber Supply Filter
14. UV lamp (Optional)
15. IV Bars with 6 Hooks (Optional)
16. Return (1st Exhaust HEPA) Filter
17. Motorized Height Adjustable Support Stand with Casters (Optional, other supports stands available)

# GENERAL SPECIFICATIONS

Isoclean® Healthcare Platform Isolator

		HPI-2G	HPI-3G	HPI-4G
Main Chamber Nominal Size (mm)		1215	1520	1825
Process Chamber Internal Dimension - W x D x H (mm)		1215 x 624 x 616	1520 x 624 x 616	1825 x 624 x 616
Pass Chamber Internal Dimension - W x D x H (mm)		577 x 427 x 320	577 x 427 x 320	577 x 427 x 320
Pass Chamber Door Opening - W x H (mm)	Indoor Door	300 x 287		
	Outer Door	350 x 300		
External Dimensions with 2 Pass Chambers and Exhaust Collar - W x D x H (mm)	With Adjustale Stand (min)	2420 x 830 x 2430	2725 x 830 x 2430	3030 x 830 x 2430
	With Adjustale Stand (max)	2420 x 830 x 2680	2725 x 830 x 2680	3030 x 830 x 2680
Glove Port Diameter (mm)		250		
Glove Port Quantity		2	3	4
Chamber Environment		ISO Class 5 all Chambers (Grade A)		
Pre-filter		G4, panel, polyester fiber media		
Downflow and Exhaust Filter Type		HEPA H14 with Integral Mesh Guard and Gasket Seal, fully compliant with EN 1822		
Filter Efficiency		99.995%		
Lighting Level		> 800		
Sound Level		TBD	TBD	TBD
Isolator Construction	Main Body	1.2 mm (0.05") 18 Gauge Electro-Galvanized Steel with White Oven-Baked Epoxy-Polyester Isocide Antimicrobial Powder Coated Finish		
	Internal Chamber	1.5 mm (0.06") 16 Gauge Stainless Steel, Type 316, with 4B Finish		
Electrical Requirements (by Client)	220-240 VAC, 50/60 Hz, 1Ø	HPI-2G8-_-_-_-_-_-	HPI-3G8-_-_-_-_-_-	HPI-4G8-_-_-_-_-_-
	Cabinet Full Load Amps	15 A	16 A	17 A
	Optional Outlets FLA	5A per outlet	5A per outlet	5A per outlet
	Cabinet Nominal Power	3.45 KW	3.68 KW	3.91 KW
	Cabinet BTU	11,772 BTU/hr	12,557 BTU/hr	13,341 BTU/hr
	110-120 VAC, 50/60 Hz, 1Ø	HPI-2G9-_-_-_-_-_-	HPI-3G9-_-_-_-_-_-	HPI-4G9-_-_-_-_-_-
	Cabinet Full Load Amps	15 A	16 A	17 A
	Optional Outlets FLA	5A per outlet	5A per outlet	5A per outlet
	Cabinet Nominal Power	1.725 A	1.84 A	1.95 KW
	Cabinet BTU	5,886 BTU/hr	6,278.34 BTU/hr	6,6670 BTU/hr
Compressed Air Requirement (by Client)	2 Bar-g Pressure at 5 L/sec	2 Bar		
General Options/Accessories	Hydraulic Stand Control	✓	✓	✓
	IV Bars with hooks	✓	✓	✓
	UV lamp	✓	✓	✓
	Electrical Outlet	✓	✓	✓
	Rear View Screen Adaptation	✓	✓	✓
	CCTV	✓	✓	✓
	Glove Leak Tester	✓	✓	✓
	Carbon VOC Filter with Housing	✓	✓	✓
	Hard Ducting with Anti-Blowback Valve	✓	✓	✓
Work Surface Options	Single Piece Trays	✓	✓	✓
	Multiple Piece Trays	✓	✓	✓
Transfer Options	Sharps Disposal	✓	✓	✓
	Continuous Liners for Bag In or Bag Out (BIBO)	✓	✓	✓
	Bag Welder for Continuous Liner System	✓	✓	✓

## ORDERING INFORMATION

Isoclean® Healthcare Platform Isolator - WITHOUT Filter Below Work Zone		
Model Code	Item Code	Description
HPI-4P1-G3-0	2060097	4' Positive Pressure Isolator Only, No Sharps Provisions, 220-240 VAC, 50 Hz
HPI-4P2-G3-0	2060098	4' Positive Pressure Isolator Only, No Sharps Provisions, 110-120 VAC, 60 Hz
HPI-4P3-G3-0	2060099	4' Positive Pressure Isolator Only, No Sharps Provisions, 220-240 VAC, 60 Hz
HPI-6P1-G3-0	2060100	6' Positive Pressure Isolator Only, No Sharps Provisions, 220-240 VAC, 50 Hz
HPI-6P2-G3-0	2060101	6' Positive Pressure Isolator Only, No Sharps Provisions, 110-120 VAC, 60 Hz
HPI-6P3-G3-0	2060102	6' Positive Pressure Isolator Only, No Sharps Provisions, 220-240 VAC, 60 Hz
HPI-4N1-G3-0	2060103	4' Negative Pressure Isolator Only, No Sharps Provisions, 220-240 VAC, 50 Hz
HPI-4N2-G3-0	2060104	4' Negative Pressure Isolator Only, No Sharps Provisions, 110-120 VAC, 60 Hz
HPI-4N3-G3-0	2060105	4' Negative Pressure Isolator Only, No Sharps Provisions, 220-240 VAC, 60 Hz
HPI-6N1-G3-0	2060106	6' Negative Pressure Isolator Only, No Sharps Provisions, 220-240 VAC, 50 Hz
HPI-6N2-G3-0	2060107	6' Negative Pressure Isolator Only, No Sharps Provisions, 110-120 VAC, 60 Hz
HPI-6N3-G3-0	2060108	6' Negative Pressure Isolator Only, No Sharps Provisions, 220-240 VAC, 60 Hz
HPI-4P1-G3-S	2060109	4' Positive Pressure Isolator With Sharps Provisions, 220-240 VAC, 50 Hz
HPI-4P2-G3-S	2060110	4' Positive Pressure Isolator With Sharps Provisions, 110-120 VAC, 60 Hz
HPI-4P3-G3-S	2060111	4' Positive Pressure Isolator With Sharps Provisions, 220-240 VAC, 60 Hz
HPI-6P1-G3-S	2060112	6' Positive Pressure Isolator With Sharps Provisions, 220-240 VAC, 50 Hz
HPI-6P2-G3-S	2060113	6' Positive Pressure Isolator With Sharps Provisions, 110-120 VAC, 60 Hz
HPI-6P3-G3-S	2060114	6' Positive Pressure Isolator With Sharps Provisions, 220-240 VAC, 60 Hz
HPI-4N1-G3-S	2060115	4' Negative Pressure Isolator With Sharps Provisions, 220-240 VAC, 50 Hz
HPI-4N2-G3-S	2060116	4' Negative Pressure Isolator With Sharps Provisions, 110-120 VAC, 60 Hz
HPI-4N3-G3-S	2060117	4' Negative Pressure Isolator With Sharps Provisions, 220-240 VAC, 60 Hz
HPI-6N1-G3-S	2060118	6' Negative Pressure Isolator With Sharps Provisions, 220-240 VAC, 50 Hz
HPI-6N2-G3-S	2060119	6' Negative Pressure Isolator With Sharps Provisions, 110-120 VAC, 60 Hz
HPI-6N3-G3-S	2060120	6' Negative Pressure Isolator With Sharps Provisions, 220-240 VAC, 60 Hz

Isoclean® Healthcare Platform Isolator - WITH Filter Below Work Zone		
Model Code	Item Code	Description
HPI-2G8-PS0-0	2060121	Positive Pressure Isolator Only, 2 gloves, Single Pass, No Pass Chamber, No Sharps Provision, 220-240 VAC, 50/60 Hz
HPI-2G8-PS0-S	2060122	Positive Pressure Isolator, 2 gloves, Single Pass, No Pass Chamber, With Sharps Provision, 220-240 VAC, 50/60 Hz
HPI-2G9-PS0-0	2060123	Positive Pressure Isolator Only, 2 gloves, Single Pass, No Pass Chamber, No Sharps Provision, 110-120 VAC, 50/60 Hz
HPI-2G9-PS0-S	2060124	Positive Pressure Isolator, 2 gloves, Single Pass, No Pass Chamber, With Sharps Provision, 110-120 VAC, 50/60 Hz
HPI-2G8-PSL-0	2060125	Positive Pressure Isolator Only, 2 gloves, Single Pass, 1 Pass Chamber (Left), No Sharps Provision, 220-240 VAC, 50/60 Hz
HPI-2G8-PSL-S	2060126	Positive Pressure Isolator, 2 gloves, Single Pass, 1 Pass Chamber (Left), With Sharps Provision, 220-240 VAC, 50/60 Hz
HPI-2G8-PSR-0	2060127	Positive Pressure Isolator Only, 2 gloves, Single Pass, 1 Pass Chamber (Right), No Sharps Provision, 220-240 VAC, 50/60 Hz
HPI-2G8-PSR-S	2060128	Positive Pressure Isolator, 2 gloves, Single Pass, 1 Pass Chamber (Right), With Sharps Provision, 220-240 VAC, 50/60 Hz
HPI-2G8-PS2-0	2060129	Positive Pressure Isolator Only, 2 gloves, Single Pass, 2 Pass Chambers, No Sharps Provision, 220-240 VAC, 50/60 Hz
HPI-2G8-PS2-S	2060130	Positive Pressure Isolator, 2 gloves, Single Pass, 2 Pass Chambers, With Sharps Provision, 220-240 VAC, 50/60 Hz
HPI-2G9-PSL-0	2060131	Positive Pressure Isolator Only, 2 gloves, Single Pass, 1 Pass Chamber (Left), No Sharps Provision, 110-120 VAC, 50/60 Hz
HPI-2G9-PSL-S	2060132	Positive Pressure Isolator, 2 gloves, Single Pass, 1 Pass Chamber (Left), With Sharps Provision, 110-120 VAC, 50/60 Hz
HPI-2G9-PSR-0	2060133	Positive Pressure Isolator Only, 2 gloves, Single Pass, 1 Pass Chamber (Right), No Sharps Provision, 110-120 VAC, 50/60 Hz

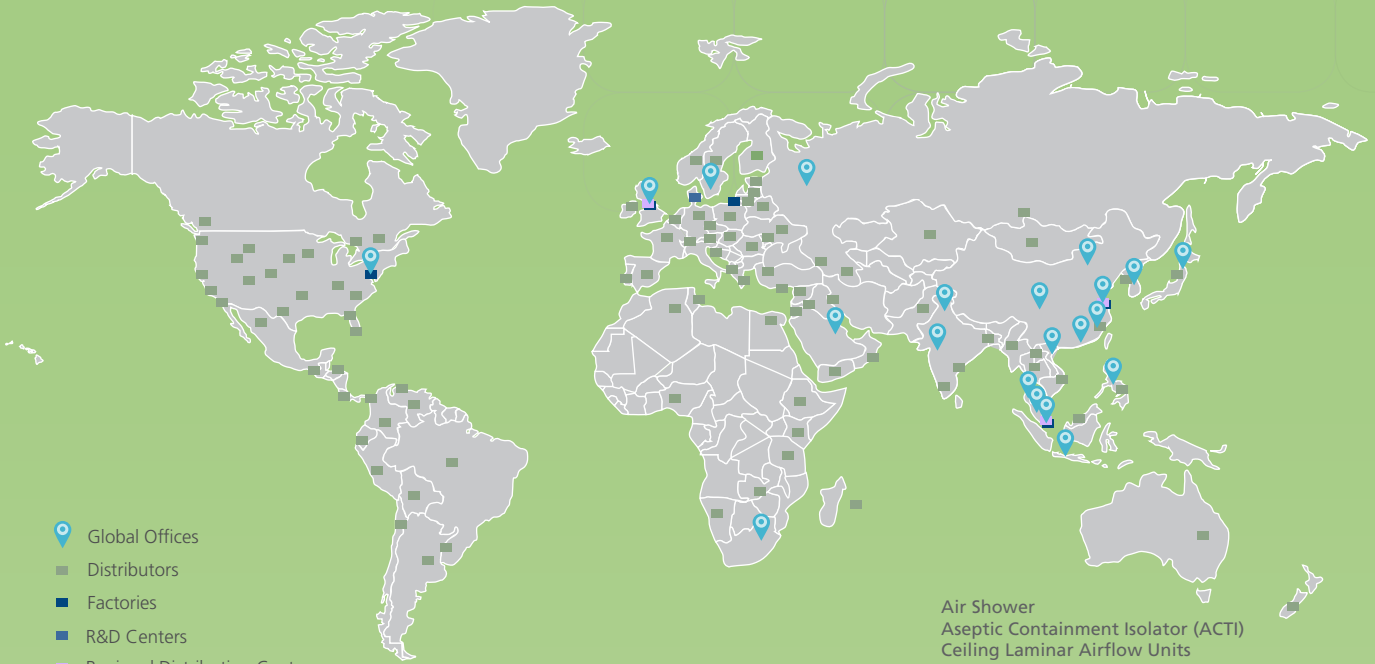


HPI-3G8-PS2-S	2060178	Positive Pressure Isolator, 3 gloves, Single Pass, 2 Pass Chambers, With Sharps Provision, 220-240 VAC, 50/60 Hz
HPI-3G9-PSL-0	2060179	Positive Pressure Isolator Only, 3 gloves, Single Pass, 1 Pass Chamber (Left), No Sharps Provision, 110-120 VAC, 50/60 Hz
HPI-3G9-PSL-S	2060180	Positive Pressure Isolator, 3 gloves, Single Pass, 1 Pass Chamber (Left), With Sharps Provision, 110-120 VAC, 50/60 Hz
HPI-3G9-PSR-0	2060181	Positive Pressure Isolator Only, 3 gloves, Single Pass, 1 Pass Chamber (Right), No Sharps Provision, 110-120 VAC, 50/60 Hz
HPI-3G9-PSR-S	2060182	Positive Pressure Isolator, 3 gloves, Single Pass, 1 Pass Chamber (Right), With Sharps Provision, 110-120 VAC, 50/60 Hz
HPI-3G9-PS2-0	2060183	Positive Pressure Isolator Only, 3 gloves, Single Pass, 2 Pass Chambers, No Sharps Provision, 110-120 VAC, 50/60 Hz
HPI-3G9-PS2-S	2060184	Positive Pressure Isolator, 3 gloves, Single Pass, 2 Pass Chambers, With Sharps Provision, 110-120 VAC, 50/60 Hz
HPI-3G8-NS0-0	2060185	Negative Pressure Isolator Only, 3 gloves, Single Pass, No Pass Chamber, No Sharps Provision, 220-240 VAC, 50/60 Hz
HPI-3G8-NS0-S	2060186	Negative Pressure Isolator, 3 gloves, Single Pass, No Pass Chamber, With Sharps Provision, 220-240 VAC, 50/60 Hz
HPI-3G9-NS0-0	2060187	Negative Pressure Isolator Only, 3 gloves, Single Pass, No Pass Chamber, No Sharps Provision, 110-120 VAC, 50/60 Hz
HPI-3G9-NS0-S	2060188	Negative Pressure Isolator, 3 gloves, Single Pass, No Pass Chamber, With Sharps Provision, 110-120 VAC, 50/60 Hz
HPI-3G8-NSL-0	2060189	Negative Pressure Isolator Only, 3 gloves, Single Pass, 1 Pass Chamber (Left), No Sharps Provision, 220-240 VAC, 50/60 Hz
HPI-3G8-NSL-S	2060190	Negative Pressure Isolator, 3 gloves, Single Pass, 1 Pass Chamber (Left), With Sharps Provision, 220-240 VAC, 50/60 Hz
HPI-3G8-NSR-0	2060191	Negative Pressure Isolator Only, 3 gloves, Single Pass, 1 Pass Chamber (Right), No Sharps Provision, 220-240 VAC, 50/60 Hz
HPI-3G8-NSR-S	2060192	Negative Pressure Isolator, 3 gloves, Single Pass, 1 Pass Chamber (Right), With Sharps Provision, 220-240 VAC, 50/60 Hz
HPI-3G8-NS2-0	2060193	Negative Pressure Isolator Only, 3 gloves, Single Pass, 2 Pass Chambers, No Sharps Provision, 220-240 VAC, 50/60 Hz
HPI-3G8-NS2-S	2060194	Negative Pressure Isolator, 3 gloves, Single Pass, 2 Pass Chambers, With Sharps Provision, 220-240 VAC, 50/60 Hz
HPI-3G9-NSL-0	2060195	Negative Pressure Isolator Only, 3 gloves, Single Pass, 1 Pass Chamber (Left), No Sharps Provision, 110-120 VAC, 50/60 Hz
HPI-3G9-NSL-S	2060196	Negative Pressure Isolator, 3 gloves, Single Pass, 1 Pass Chamber (Left), With Sharps Provision, 110-120 VAC, 50/60 Hz
HPI-3G9-NSR-0	2060197	Negative Pressure Isolator Only, 3 gloves, Single Pass, 1 Pass Chamber (Right), No Sharps Provision, 110-120 VAC, 50/60 Hz
HPI-3G9-NSR-S	2060198	Negative Pressure Isolator, 3 gloves, Single Pass, 1 Pass Chamber (Right), With Sharps Provision, 110-120 VAC, 50/60 Hz
HPI-3G9-NS2-0	2060199	Negative Pressure Isolator Only, 3 gloves, Single Pass, 2 Pass Chambers, No Sharps Provision, 110-120 VAC, 50/60 Hz
HPI-3G9-NS2-S	2060200	Negative Pressure Isolator, 3 gloves, Single Pass, 2 Pass Chambers, With Sharps Provision, 110-120 VAC, 50/60 Hz
HPI-3G8-NR0-0	2060201	Negative Pressure Isolator Only, 3 gloves, Recirculating, No Pass Chamber, No Sharps Provision, 220-240 VAC, 50/60 Hz
HPI-3G8-NR0-S	2060202	Negative Pressure Isolator, 3 gloves, Recirculating, No Pass Chamber, With Sharps Provision, 220-240 VAC, 50/60 Hz
HPI-3G9-NR0-0	2060203	Negative Pressure Isolator Only, 3 gloves, Recirculating, No Pass Chamber, No Sharps Provision, 110-120 VAC, 50/60 Hz
HPI-3G9-NR0-S	2060204	Negative Pressure Isolator, 3 gloves, Recirculating, No Pass Chamber, With Sharps Provision, 110-120 VAC, 50/60 Hz
HPI-3G8-NRL-0	2060205	Negative Pressure Isolator Only, 3 gloves, Recirculating, 1 Pass Chamber (Left), No Sharps Provision, 220-240 VAC, 50/60 Hz
HPI-3G8-NRL-S	2060206	Negative Pressure Isolator, 3 gloves, Recirculating, 1 Pass Chamber (Left), With Sharps Provision, 220-240 VAC, 50/60 Hz
HPI-3G8-NRR-0	2060207	Negative Pressure Isolator Only, 3 gloves, Recirculating, 1 Pass Chamber (Right), No Sharps Provision, 220-240 VAC, 50/60 Hz
HPI-3G8-NRR-S	2060208	Negative Pressure Isolator, 3 gloves, Recirculating, 1 Pass Chamber (Right), With Sharps Provision, 220-240 VAC, 50/60 Hz
HPI-3G8-NR2-0	2060209	Negative Pressure Isolator Only, 3 gloves, Recirculating, 2 Pass Chambers, No Sharps Provision, 220-240 VAC, 50/60 Hz
HPI-3G8-NR2-S	2060210	Negative Pressure Isolator, 3 gloves, Recirculating, 2 Pass Chambers, With Sharps Provision, 220-240 VAC, 50/60 Hz
HPI-3G9-NRL-0	2060211	Negative Pressure Isolator Only, 3 gloves, Recirculating, 1 Pass Chamber (Left), No Sharps Provision, 110-120 VAC, 50/60 Hz
HPI-3G9-NRL-S	2060212	Negative Pressure Isolator, 3 gloves, Recirculating, 1 Pass Chamber (Left), With Sharps Provision, 110-120 VAC, 50/60 Hz
HPI-3G9-NRR-0	2060213	Negative Pressure Isolator Only, 3 gloves, Recirculating, 1 Pass Chamber (Right), No Sharps Provision, 110-120 VAC, 50/60 Hz
HPI-3G9-NRR-S	2060214	Negative Pressure Isolator, 3 gloves, Recirculating, 1 Pass Chamber (Right), With Sharps Provision, 110-120 VAC, 50/60 Hz
HPI-3G9-NR2-0	2060215	Negative Pressure Isolator Only, 3 gloves, Recirculating, 2 Pass Chambers, No Sharps Provision, 110-120 VAC, 50/60 Hz
HPI-3G9-NR2-S	2060216	Negative Pressure Isolator, 3 gloves, Recirculating, 2 Pass Chambers, With Sharps Provision, 110-120 VAC, 50/60 Hz
HPI-4G8-PS0-0	2060217	Positive Pressure Isolator Only, 4 gloves, Single Pass, No Pass Chamber, No Sharps Provision, 220-240VAC, 50/60 Hz
HPI-4G8-PS0-S	2060218	Positive Pressure Isolator, 4 gloves, Single Pass, No Pass Chamber, With Sharps Provision, 220-240 VAC, 50/60 Hz
HPI-4G9-PS0-0	2060219	Positive Pressure Isolator Only, 4 gloves, Single Pass, No Pass Chamber, No Sharps Provision, 110-120 VAC, 50/60 Hz
HPI-4G9-PS0-S	2060220	Positive Pressure Isolator, 4 gloves, Single Pass, No Pass Chamber, With Sharps Provision, 110-120 VAC, 50/60 Hz
HPI-4G8-PSL-0	2060221	Positive Pressure Isolator Only, 4 gloves, Single Pass, 1 Pass Chamber (Left), No Sharps Provision, 220-240 VAC, 50/60 Hz





# ESCO GLOBAL NETWORK



-  Global Offices
-  Distributors
-  Factories
-  R&D Centers
-  Regional Distribution Centers



- Air Shower
- Aseptic Containment Isolator (ACTI)
- Ceiling Laminar Airflow Units
- Cleanroom Transfer Hatch
- Containment Barrier Isolator (CBI)
- Compounding Aseptic Isolator
- Compounding Aseptic Containment Isolator
- Downflow Booth (DFB)
- Dynamic Floor Label Hatch
- Dynamic Pass Box
- Evidence Drying Cabinet
- Garment Storage Cabinet
- General Processing Platform Isolator (GPPI)
- Healthcare Platform Isolator
- Laminar Flow Horizontal Trolley
- Laminar Flow Straddle Units, Single and Double Laminar Flow Vertical Trolley
- Pass Box
- Soft Wall Cleanroom
- Sputum Booth
- Ventilated Balance Enclosure (VBE)
- Weighing and Dispensing Containment Isolator (WDCI)

Since 1978, Esco has emerged as a leader in the development of controlled environment, laboratory and pharmaceutical equipment solutions. Products sold in more than 100 countries include biological safety cabinets, fume hoods, ductless fume hoods, laminar flow clean benches, animal containment workstations, cytotoxic cabinets, hospital pharmacy isolators, and PCR cabinets and instrumentation. With the most extensive product line in the industry, Esco has passed more tests, in more languages, for more certifications, throughout more countries than any biosafety cabinet manufacturer in the world. Esco remains dedicated to delivering innovative solutions for the clinical, life science, research and industrial laboratory community. [www.escoglobal.com](http://www.escoglobal.com).

## ESCO PHARMA<sup>®</sup> PLATFORM SPECIALIST.

Esco Pharma Pte Ltd  
 21 Changi South Street 1 Singapore 486777 • Tel: +65 65420833  
 Fax: +65 65426920 • Email: [csis.pharma@escoglobal.com](mailto:csis.pharma@escoglobal.com)

Esco Technologies, Inc.  
 1661 Loretta Ave., Feasterville, PA 19053  
 Tel: 215 322 2155 • Email: [eti.pharma@escoglobal.com](mailto:eti.pharma@escoglobal.com)

Esco Gb Ltd  
 Unit 9, Century Park Networkcentre, Dearne Lane,  
 Manvers, Rotherham, South Yorkshire, S63 5DE.  
 Tel: +44 (0) 1709 761 669 • Email: [egb.info@escoglobal.com](mailto:egb.info@escoglobal.com)

Esco Global Offices: Bahrain | Bangladesh | China | India | Indonesia | Italy | Japan  
 Malaysia | Philippines | Russia | Singapore | South Africa | South Korea | Thailand  
 United Kingdom | USA | Vietnam



Esco, Escochem, EPI, Geni, Brochure\_AA\_VA\_Jan2016  
 Esco can accept no responsibility for possible errors in catalogues, brochures and other printed materials. Esco reserves the right to alter its products and specifications without notice. All trademarks and logos in this material are the property of Esco and the respective companies.